

DEKORA



DEKORA DETAILS

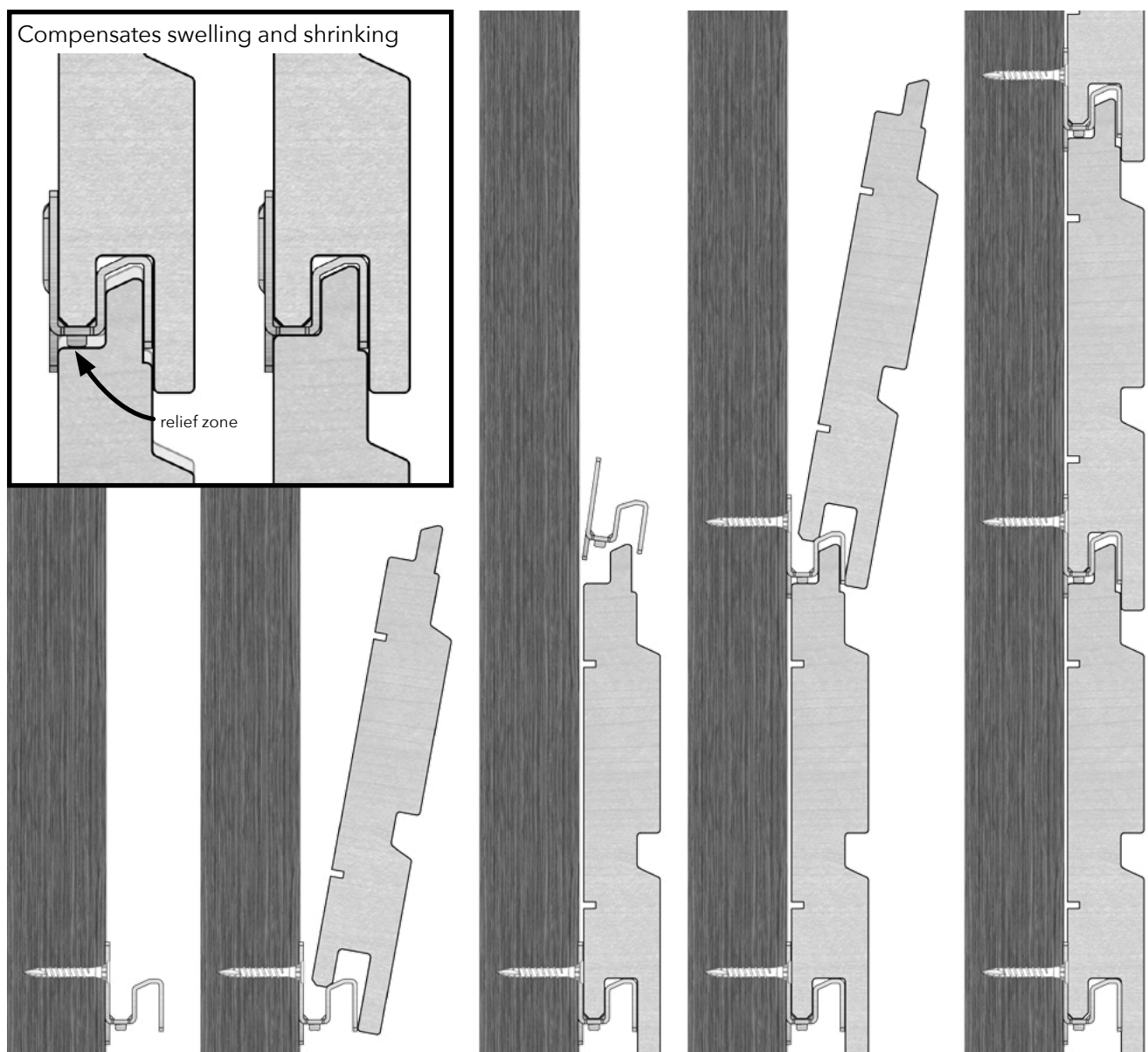
The façade connector **DEKORA** guarantees a simple, fast and safe installation process of closed cladding made of wood or wood-like materials.

The concealed tongue-and-groove fixing system protects the facade surface against the effects of weather and ensures integral structural protection.

The beveled connector guide allows for easy placement and at the same time ensures a smooth insertion and positioning of the facade profile.

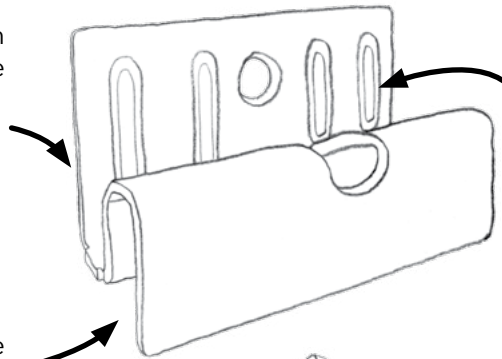
Dekora allows natural shrinking of wooden cladding boards and absorbs swelling through the integrated relief zones.

The unique fixing system can be easily applied to façade installations through one mounting screw to the substructure.



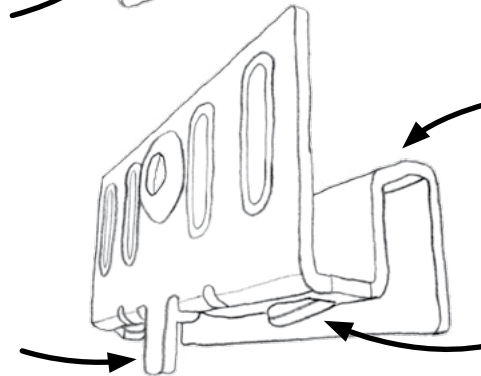
DEKORA HIGHLIGHTS

Guide bracket ensures smooth assembly and positioning of the facade boards



Stabilizing zones counteract the deformation forces to the substructure

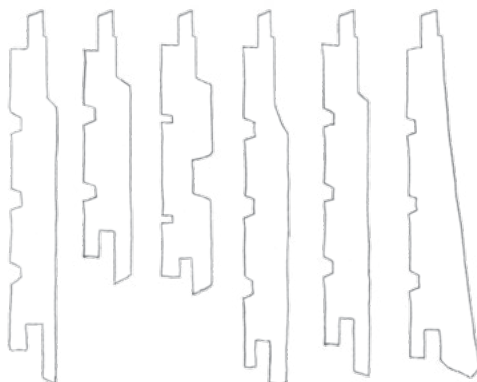
Long guide zones stabilize the facade profile and compensate shrinkage



Beveled guide bracket for easy installation of the facade profiles

Guide tab for easy and quick installation

Integrated relief zones absorb swelling movements



Maximum flexibility in design selection. The DEKORA profile can be machined to numerous geometries

OVERVIEW

Fixing:	concealed system
Fixing type:	sliding and fixed point
Space distance:	fixed positioning guide
Facade board:	special DEKORA profile
Fire protection:	according to metal material
Material:	Alu-zinc or Alu-zinc C4 black
System screw:	ELITA 4,5 x 34 mm hardened stainless steel
Special feature:	system screws are included

Enclosed system screw
ELITA 4,5 x 34 mm



DEKORA

FACADE SYSTEM



Product No.	Description 1	Description 2	Packing Unit
015005000	DEKORA facade connector	aluminium zinc	PU 100 PCS
015011000	DEKORA facade connector	aluminium zinc	PU 300 PCS
015012000	DEKORA facade connector	aluminium zinc	PU 600 PCS

The required ELITA1 screws 4,5 x 34 mm and instructions are included in every package

Product No.	Description 1	Description 2	Packing Unit
015105000	DEKORA facade connector	aluminium zinc C4 black	PU 100 PCS
015111000	DEKORA facade connector	aluminium zinc C4 black	PU 300 PCS
015112000	DEKORA facade connector	aluminium zinc C4 black	PU 600 PCS

The required ELITA1 screws 4,5 x 34 mm and instructions are included in every package

Product No.	Description 1	Description 2	Packing Unit
030001000	ELITA1, 4,5 x 34 mm, screw	stainless steel, full thread, TX20	PU 100 PCS