

LIFTO



LIFTO DETAILS

Terrace substructures made of wood, wood-based materials or aluminum are simply, quickly and precisely set up with the **LIFTO** terrace pedestal.

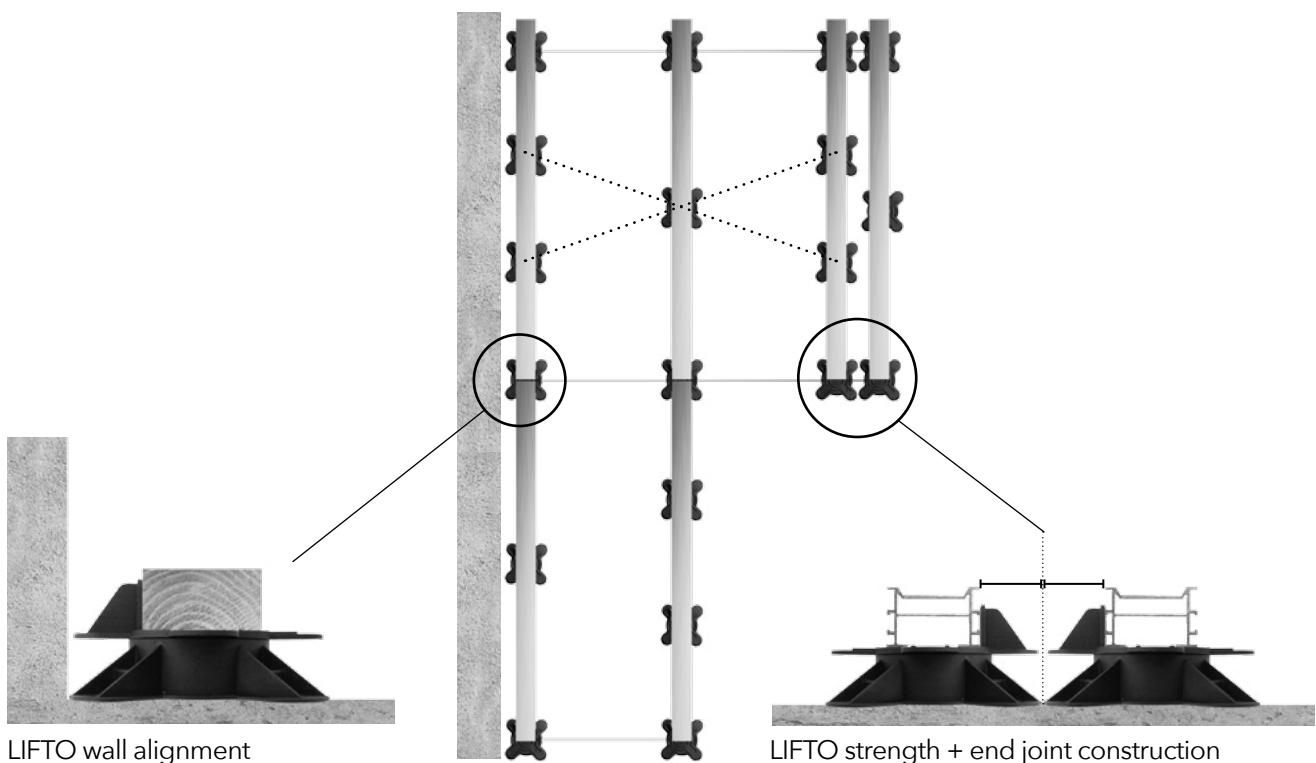
The continuously variable height adjustment offers millimeter accuracy allowing time-saving benefits and an easy assembly process.

Height differences up to 295 mm can be compensated with simple intermediate adapters, thus offering maximum flexibility in assembly and storage.

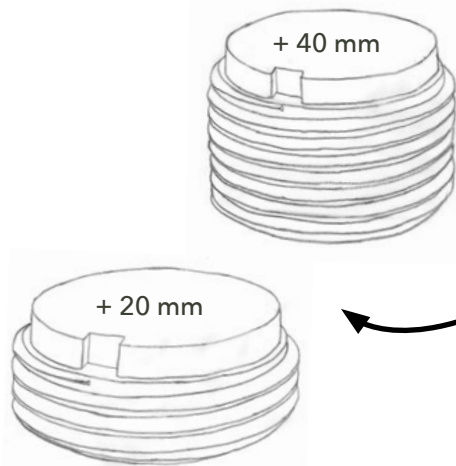
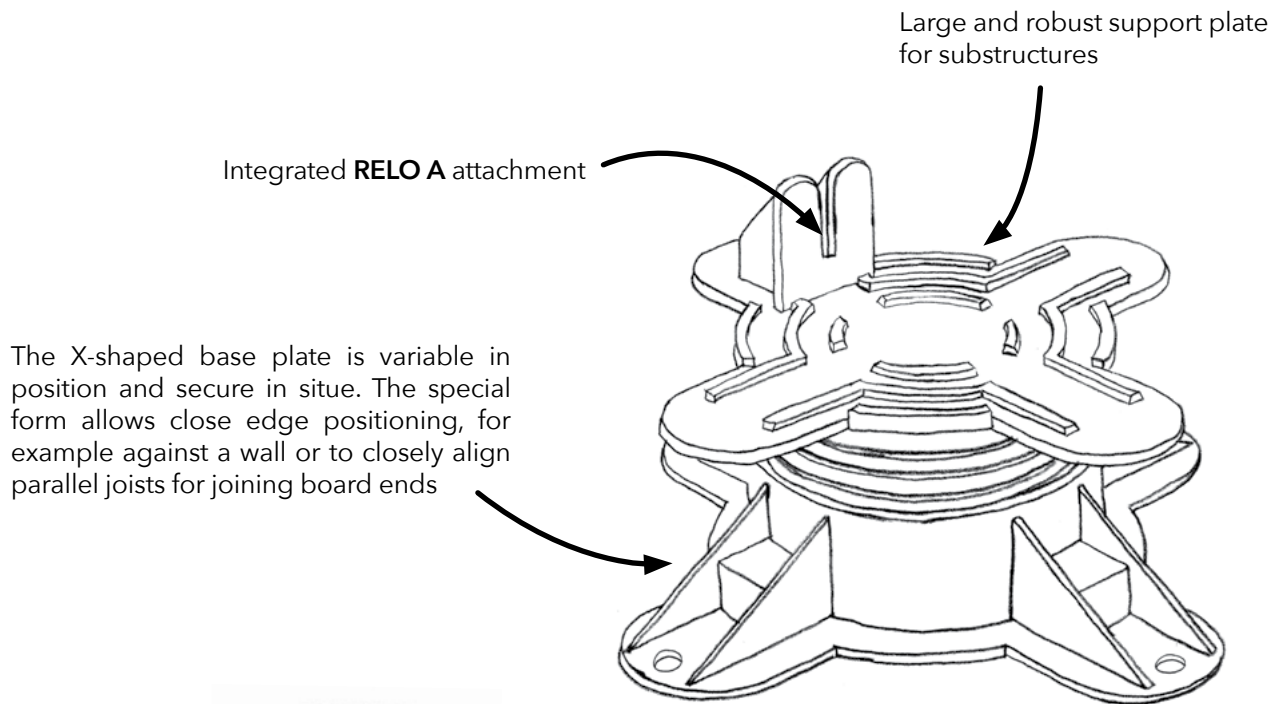
The X-shaped base plate is variable in position and secure in situ. The special form allows close edge positioning, for example against a wall or to closely align parallel joists for joining board ends. The x-shaped base plate is perfectly usable and advantageous over the common circular base plates.

The high loading capacity of the LIFTO Pedestal is achieved by reinforced tubular walling, precision molded threads and connecting parts. This guarantees lasting and stable mounting of the substructure.

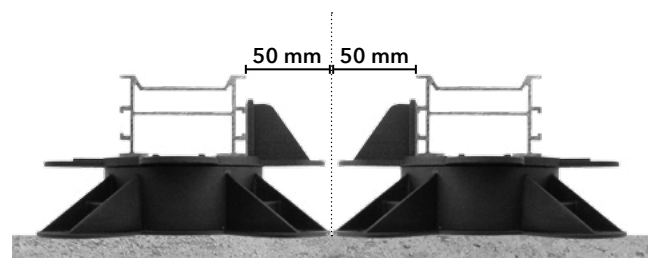
Application	Concrete foundation / stone slabs	Position LIFTO directly on foundation or stone slabs	Image A
	Gravel or crushed stone	Position LIFTO on compacted concrete slabs	Image B
	Soil	Position LIFTO on compacted concrete slabs	Image C
	Insulated flat roofs	Position LIFTO on GUMO LGD/LGA pressure pad	Image D



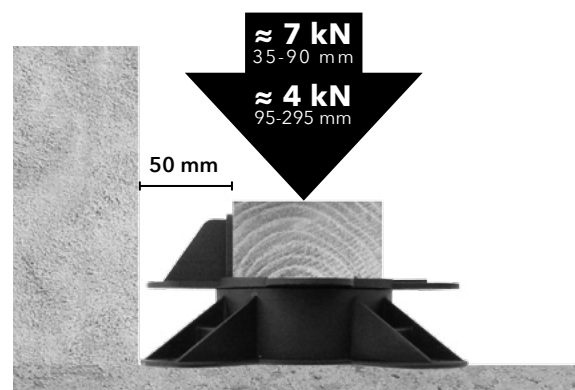
LIFTO HIGHLIGHTS



The LIFTO height adjustment 35 - 55 mm can be continuously increased using intermediate adapters permitting a versatile height range and maximum flexibility in assembly and stock storage



LIFTO end joint construction



LIFTO wall alignment + load-bearing capacity

OVERVIEW

Height range:	35 - 55 / max. 295 mm
Adapter A 20:	+ 20 mm
Adapter A 40:	+ 40 mm
Special features:	RELO A Compatible
Accessories:	GUMO LGA pressure distribution pad
Dimensions:	Baseplate Ø 167 mm Support plate width 70 mm
Material:	PP Polypropylene Recycled

LIFTO

ADJUSTABLE PEDESTAL



	Height adjustment	Quantity Adapter 20	Quantity Adapter 40
	35 - 55 mm	-	-
+	55 - 75 mm	1	-
	75 - 95 mm	-	1
	135 - 155 mm	1	2
+	155 - 175 mm	-	3
	175 - 195 mm	1	3
	195 - 215 mm	-	4
	215 - 235 mm	1	4
+	235 - 255 mm	-	5
	255 - 275 mm	1	5
	275 - 295 mm	-	6

Product No.	Description 1	Description 2	Packing Unit
005511000	LIFTO, 35 - 55 mm, adjustable pedestal		PU 10 PCS
005513000	LIFTO, 35 - 55 mm, adjustable pedestal		PU 30 PCS
005514000	LIFTO, 35 - 55 mm, adjustable pedestal		PU 125 PCS
005515000	LIFTO, 35 - 55 mm, adjustable pedestal		PU 250 PCS
005515001	LIFTO, 35 - 55 mm, adjustable pedestal	not preassembled	PU 200 PCS
005604000	LIFTO A, 20 mm, adapter for adjustable pedestal		PU 10 PCS
005611000	LIFTO A, 20 mm, adapter for adjustable pedestal		PU 60 PCS
005613000	LIFTO A, 20 mm, adapter for adjustable pedestal		PU 180 PCS
005600001	LIFTO A, 20 mm, adapter for adjustable pedestal		PU 650 PCS
005704000	LIFTO A, 40 mm, adapter for adjustable pedestal		PU 5 PCS
005711000	LIFTO A, 40 mm, adapter for adjustable pedestal		PU 30 PCS
005713000	LIFTO A, 40 mm, adapter for adjustable pedestal		PU 90 PCS
005700001	LIFTO A, 40 mm, adapter for adjustable pedestal		PU 350 PCS